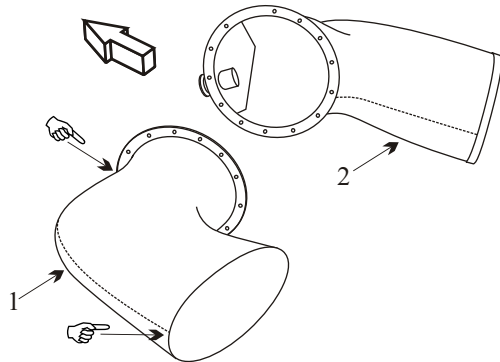



# BEECHCRAFT 1900/1900 C/1900 D

Item	Part Number	Description
1	129-950000-1	STACK ASSY LEFT HAND
1	129-950000-15	STACK ASSY LEFT HAND
2	129-950020-1	STACK ASSY RIGHT HAND
2	129-950020-11	STACK ASSY RIGHT HAND
2	129-950031-1	STACK ASSY RIGHT HAND
NS	129-910047-1	ENGINE MOUNT
NS	129-910047-13	ENGINE MOUNT
NS	129-910047-17	ENGINE MOUNT
NS	VARIOUS	SEAT BASE



 Inspect for cracks in this area.