



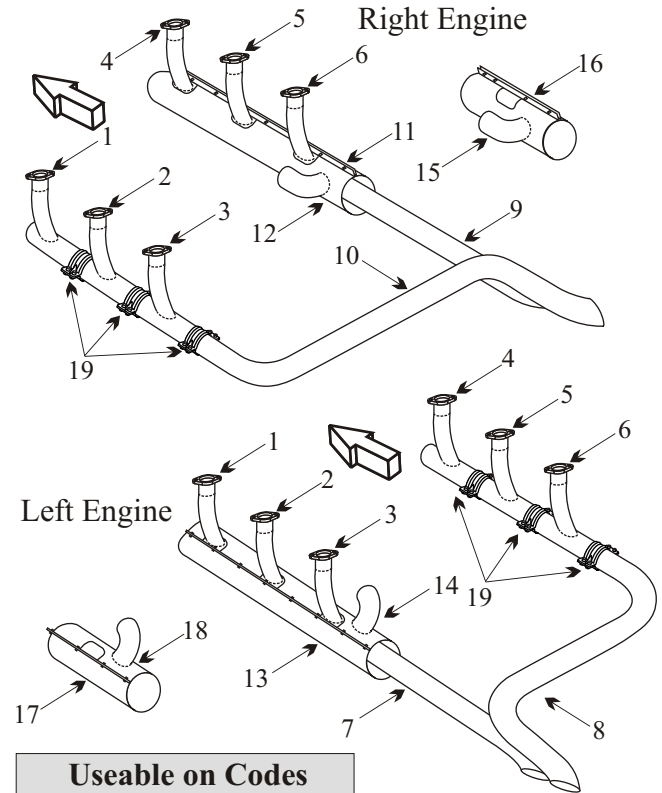
Exhaust Systems Engine Mounts Carb Air Boxes

Shrouds • Seats • Piston • Turbine • Radial • Vintage • And More...



BRITTEN-NORMAN BN-2 ISLANDER WITH O540 LYCOMING ENGINE

Item	Part Number	Description	Code
1	NB-53-ND-173	EXHAUST SEGMENT LEFT HAND FWD	
2	NB-53-ND-175	EXHAUST SEGMENT LEFT HAND CTR	
3	NB-53-ND-177	EXHAUST SEGMENT LEFT HAND AFT	
4	NB-53-ND-174	EXHAUST SEGMENT RIGHT HAND FWD	
5	NB-53-ND-176	EXHAUST SEGMENT RIGHT HAND CTR	
6	NB-53-ND-178	EXHAUST SEGMENT RIGHT HAND AFT	
7	NB-53-ND-267	OUTLET STACK LEFT HAND OB	
8	NB-53-ND-269	OUTLET STACK LEFT HAND IB	
9	NB-53-ND-271	OUTLET STACK RIGHT HAND OB	
10	NB-53-ND-275	OUTLET STACK RIGHT HAND IB	
11	NB-51-G-405	MUFF HOT AIR RH ENGINE OB	A
12	NB-51-G-403	MUFF HOT AIR RH ENGINE IB	A
13	NB-51-G-407	MUFF HOT AIR LH ENGINE OB	A
14	NB-51-G-409	MUFF HOT AIR LH ENGINE IB	A
15	NB-51-G-745	MUFF HOT AIR RH ENGINE OB	B
16	NB-51-G-737	MUFF HOT AIR RH ENGINE IB	B
17	NB-51-G-751	MUFF HOT AIR LH ENGINE OB	B
18	NB-51-G-749	MUFF HOT AIR LH ENGINE IB	B
19	616-002	CLAMP 2 PC	
-	77611	GASKET	
-	NB-51-G-393	CARB AIR BOX	
-	NB-51-G-497	CARB AIR BOX	
-	NB-20-G-1901	ENGINE MOUNT FRAME	A
-	NB-20-C-1905	HORIZONTAL STRUT	
-	NB-20-D-1903	DIAGONAL STRUT	
-	J7402-20	LORD MOUNT	
-	J3804-28	LORD MOUNT	



Useable on Codes
 A: Pre MOD NB/M/335
 B: Post MOD NB/M/335

- Inspect the rear stack flange and riser. This area has the greatest stress due to the long length of the tailpipe.
- Inspect tailpipe for thinning and internal corrosion.

(toll free) 1-888-388-8803 1-780-447-5955 Fax: 1-780-447-5980
 sales@acornwelding.com parts@acornwelding.com www.acornwelding.com