



Exhaust Systems Engine Mounts Carb Air Boxes

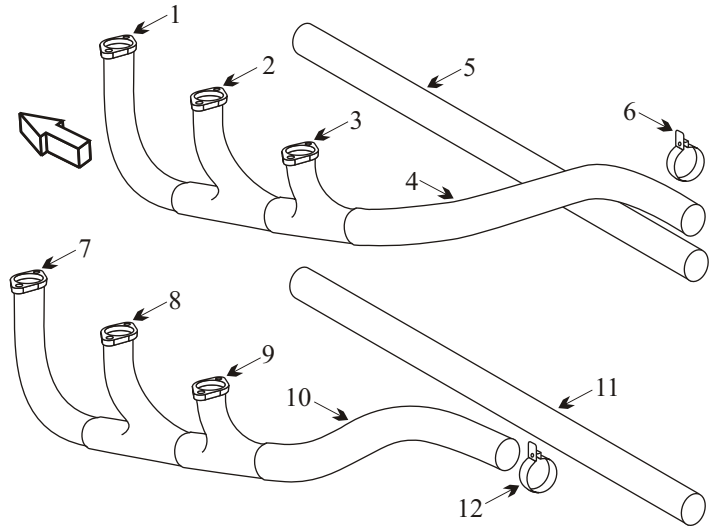
Shrouds • Seats • Piston • Turbine • Radial • Vintage • And More...



GRUMMAN WIDGEON G44A

WITH LYCOMING GO-480 ENGINE

Item	Part Number	Description
1	2100-1R	STACK ASSY RIGHT HAND FWD CYL #1
2	2100-2R	STACK ASSY RIGHT HAND CTR CYL #3
3	2100-3R	STACK ASSY RIGHT HAND AFT CYL #5
4	2100-4R	TAILPIPE RIGHT HAND
5	2150-2R	TAILPIPE EXTENSION
6	2100-5R	CLAMP RIGHT HAND
7	2100-1L	STACK ASSY LEFT HAND FWD CYL #2
8	2100-2L	STACK ASSY LEFT HAND CTR CYL #4
9	2100-3L	STACK ASSY LEFT HAND AFT CYL #6
10	2100-4L	TAILPIPE LEFT HAND
11	2150-2L	TAILPIPE EXTENSION
12	2100-5L	CLAMP LEFT HAND
-	2150-1R	AUGMENTOR TUBE
-	2150-1L	AUGMENTOR TUBE
-	4850	CARB AIR BOX
-	5000	ENGINE MOUNT
-	J-3804-10	SHOCK MOUNT



- Inspect tailpipe for thinning and internal corrosion.
- Inspect the aft flange that is the main load bearer of the tailpipe.

(toll free) 1-888-388-8803 1-780-447-5955 Fax: 1-780-447-5980
 sales@acornwelding.com parts@acornwelding.com www.acornwelding.com