



Exhaust Systems Engine Mounts Carb Air Boxes

Shrouds • Seats • Piston • Turbine • Radial • Vintage • And More...



SOCATA TB9 TAMPICO GT

WITH LYCOMING O-320

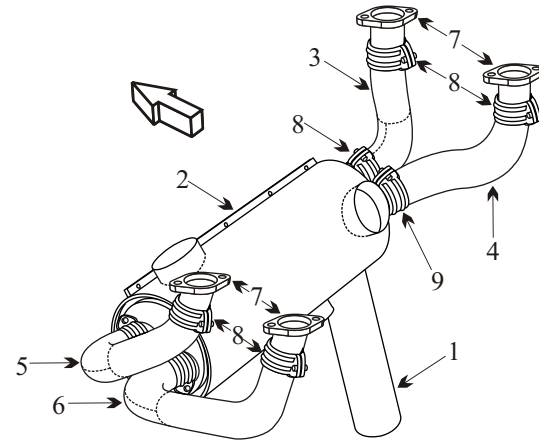
SOCATA TB10 TOBAGO GT

WITH LYCOMING O-320 OR O-360 ENGINE

SOCATA TB200 TOBAGO XL GT

WITH LYCOMING O-320 OR O-360 ENGINE

Item	Part Number	Description	Code
1	TB10 5602500000	Muffler Assembly	
1	T200 5600500000	Muffler Assembly (TB 200 Only)	
2	TB09 5602400100	Shroud Assembly	
2	TB10 5602400100	Shroud Assembly	
2	T200 5600100200	Shroud Assembly	
3	TB10 56006005	RISER RIGHT HAND FRONT	
3	T200 56000005	RISER RIGHT FRONT (TB 200 Only)	
4	TB10 56006006	RISER RIGHT HAND REAR	
4	T200 56000006	RISER RIGHT REAR (TB 200 Only)	
4	T200 5600000800	RISER RIGHT HAND REAR	A
5	TB10 56006003	RISER LEFT HAND FRONT	
5	T200 56000003	(TB 200 Only)	
6	TB10 56006004	RISER LEFT HAND REAR	
6	T200 56000004	RISER LEFT REAR (TB 200 Only)	
6	T200 5600000700	RISER LEFT HAND REAR	A
7	TB10 56006001	RISER STUB	
7	T200 56000001	RISER STUB (TB 200 Only)	
7	T200 56000002	STUB RIGHT HAND FWD ONLY	
8	TB10 56008001	CLAMP ASSY	
9	TB10 56009001	CLAMP ASSY <small>Note: Wider clamp is used on the O-360 engine only</small>	
-	77611	GASKET	



Usable on Codes

A: (TB 200 Only SN 1260 and AC 1-1619 Post SB 10-074-78)

(toll free) 1-888-388-8803 1-780-447-5955 Fax: 1-780-447-5980
 sales@acornwelding.com parts@acornwelding.com www.acornwelding.com