



# Exhaust Systems Engine Mounts Carb Air Boxes

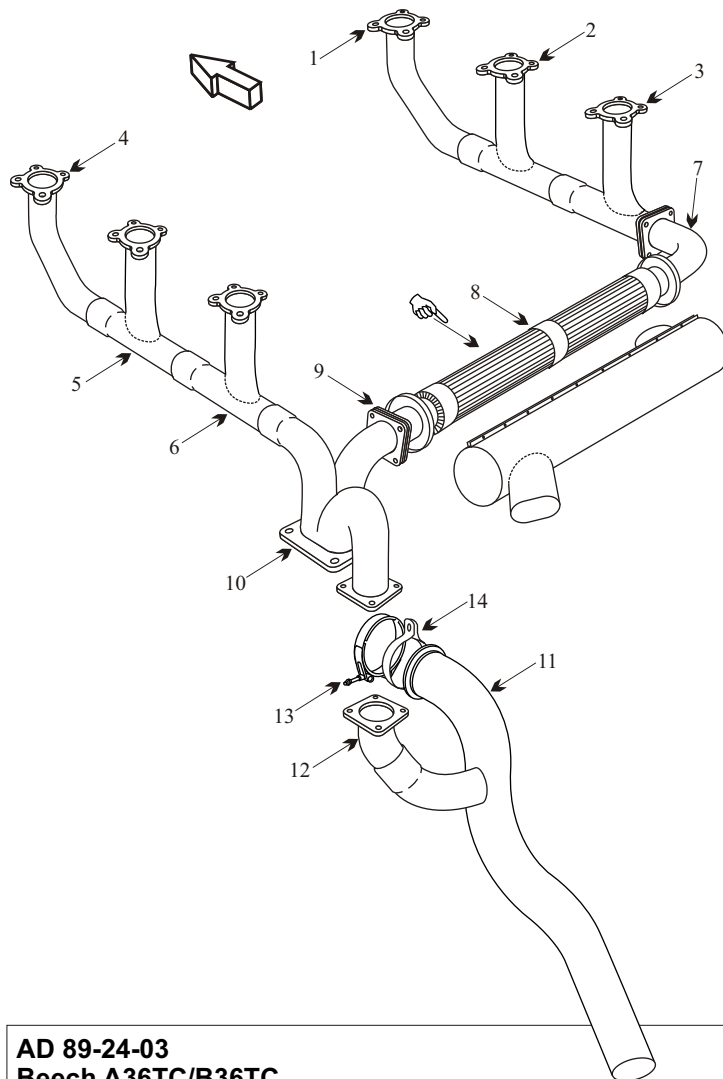
Shrouds • Seats • Piston • Turbine • Radial • Vintage • And More...



## BEECH BONAZA A36TC/B36TC

WITH CONTINENTAL TS10 520 UB ENGINE

Item	Part Number	Description
1	642673	STACK RIGHT FRONT CYL #5
2	642672	STACK RIGHT CENTER CYL #3
3	642670	STACK RIGHT REAR CYL #1
4	642674	STACK LEFT FRONT CYL #6
5	642671	STACK LEFT CENTER CYL #4
6	642671	STACK LEFT REAR CYL #2
7	642666	ELBOW RIGHT HAND
8	642663	HEATER ASSEMBLY C/W SHROUD
9	642891	SLEEVE LEFT HAND
10	646795	HEADER TURBO INLET
10	654340	HEADER TURBO INLET CAST
11	642392	TAILPIPE
11	655164	TAILPIPE
12	642665	BYPASS ELBOW
13	N4211-375M	CLAMP V-BAND
14	642537	CLAMP TAILPIPE SUPPORT
-	628260	GASKET
-	642520	GASKET WASTEGATE
-	636465	GASKET TURBO INLET
-	642391	BRACKET TURBO CHARGER
-	642502	GASKET EXHAUST CROSSOVER
-	VARIOUS	SEAT BASE
-	J-10520-1	SHOCK MOUNT



### AD 89-24-03 Beech A36TC/B36TC

Applies to Continental TS10-520-UB engines S/N's 515000 thru 515999 and 527000 thru 527070 equipped with P/N 642668.

Inspect turbo charger inlet for cracks, replace with P/N 646795 if cracks found.

- Inspect transition header for cracks
- Inspect tail pipes for internal pitting and wall thickness especially at the outside radius, which is the thin section, and at support bracket.
- Inspect joints for freedom of movement and distortion.
- ☞ Inspect the heater under the shroud for blistering bulges or cracking and separation of the heat sink fins.

(toll free) 1-888-388-8803 1-780-447-5955 Fax: 1-780-447-5980  
 sales@acornwelding.com parts@acornwelding.com www.acornwelding.com