



# Exhaust Systems Engine Mounts Carb Air Boxes

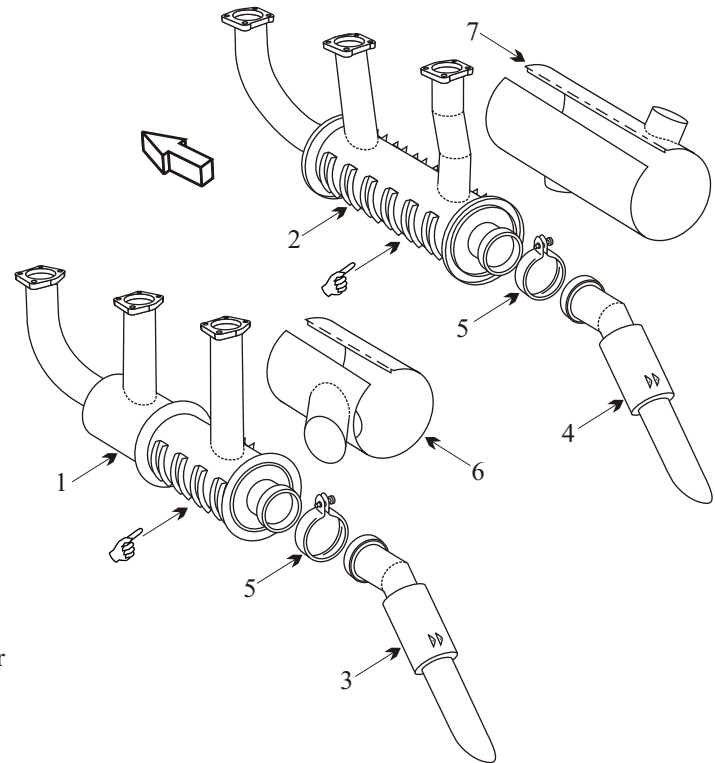
Shrouds • Seats • Piston • Turbine • Radial • Vintage • And More...



## BELLANCA 17-30A VIKING

WITH CONTINENTAL IO 520 ENGINE

Item	Part Number	Description
1	191485-30	MUFFLER ASSY LEFT HAND
2	191484-10	MUFFLER ASSY RIGHT HAND
3	191927-0	TAILPIPE LEFT HAND
4	191925-0	TAILPIPE RIGHT HAND
5	099004-254	CLAMP TAILPIPE
6	191959-0	SHROUD LEFT HAND
7	191427	SHROUD RIGHT HAND
-	628260	GASKET
-	191942-0	INDUCTION AIR BOX
-	191898	ENGINE MOUNT
-	J-7518-2	SHOCK MOUNT



### AD 76-23-03 R1

Applies to S/N's 30-263 and on.

Inspect exhaust system for cracks and for freedom of movement in ball joints.

Inspection required every 100 hrs of operation.

- Inspect the area where riser attaches to the body of the muffer for cracks.
- This muffer does not require flame tubes or cones.

☞ A pressure test inspection is advisable for this muffer.

(toll free) 1-888-388-8803 1-780-447-5955 Fax: 1-780-447-5980  
 sales@acornwelding.com parts@acornwelding.com www.acornwelding.com