



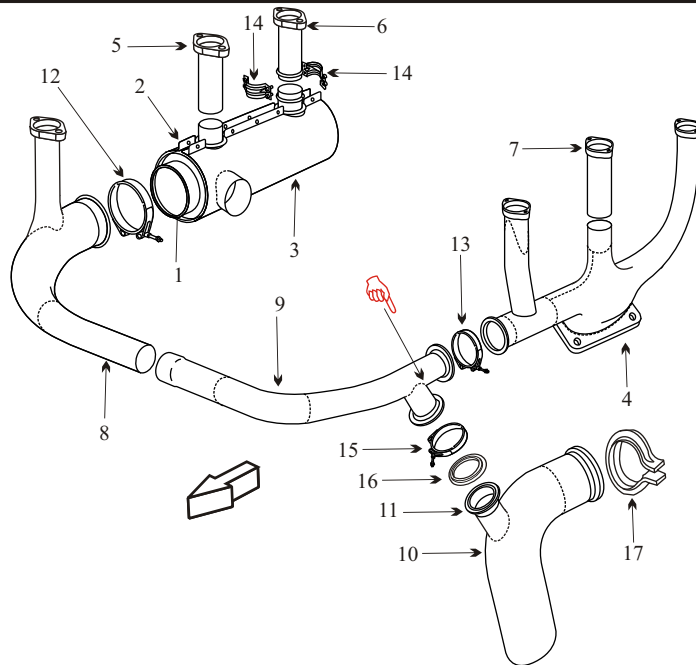
Exhaust Systems Engine Mounts Carb Air Boxes

Shrouds • Seats • Piston • Turbine • Radial • Vintage • And More...




CESSNA T182 TURBO SKYLANE SN 67716-68541
CESSNA TR182 RG SKYLANE SN 0001-2032

Item	Part Number	Description
1	2254015-1	HEAT EXCHANGER
2	2254016-1/16	SHROUD HALF OUTBOARD
3	2254016-2/17	SHROUD HALF INBOARD
4	2254012-2	COLLECTOR LEFT HAND
4	2254012-4	COLLECTOR LEFT HAND (INCONEL)
5	2254005-3	RISER RIGHT HAND CENTER
6	2254005-5	RISER RIGHT HAND REAR
7	2254005-1	RISER LEFT HAND CENTER
8	2254013-1	CROSSOVER RIGHT FRONT
9	2254008-4	CROSSOVER LEFT FRONT
10	2254010-1	TAILPIPE
11	2254009-1	TAILPIPE ADAPTER
12	U3356S1-300	HEAT EXCHANGER CLAMP
13	24540-200	COLLECTOR CLAMP
14	1250860-29	CLAMP HALF
15	18276-175	WASTEGATE CLAMP 2 REQUIRED
16	24096-175N	WASTEGATE GASKET 2 REQUIRED
17	NH1000897-40	TAILPIPE CLAMP
-	2250113-1	HEAT DEFLECTOR ASSY
-	2254014-1	HEATER DUCT ASSY OUTLET
-	77611	GASKET
-	2250132-1	INDUCTION AIR BOX
-	2251000-1/18	ENGINE MOUNT
-	J-9613-12	SHOCK MOUNT



- Inspect outlet stack for chaffing from the shroud.
- Inspect muffler for blisters or bulges under heat shroud.
- Inspect attach flanges under clamps for distortion.

 Inspect wye section for cracks and distortion as this is the hot area.

Item	Part Number	Description
-	VARIOUS	SEAT BASE
-	636463	TURBO GASKET

(toll free) 1-888-388-8803 1-780-447-5955 Fax: 1-780-447-5980
 sales@acornwelding.com parts@acornwelding.com www.acornwelding.com