



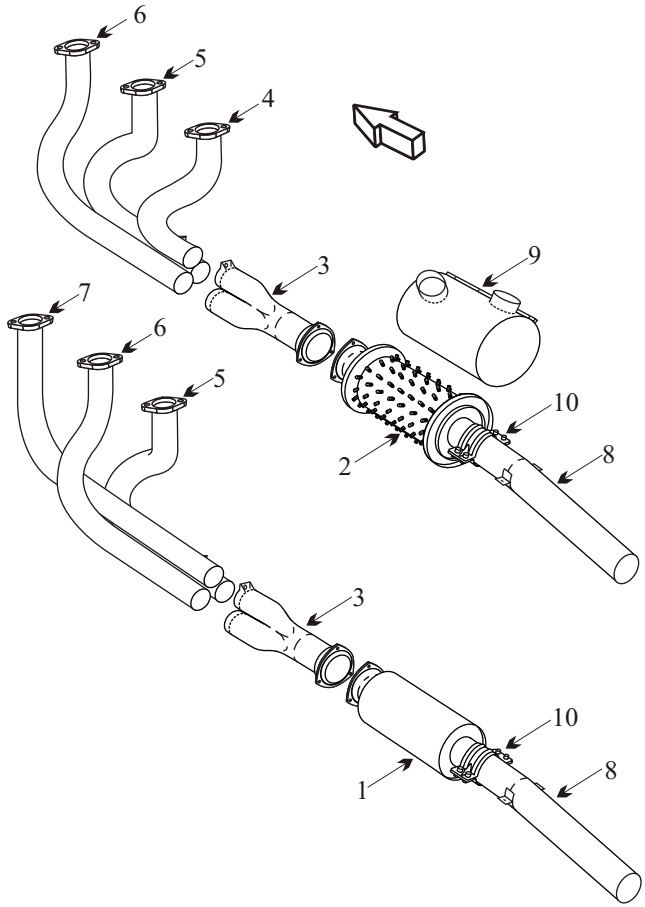
Exhaust Systems Engine Mounts Carb Air Boxes

Shrouds • Seats • Piston • Turbine • Radial • Vintage • And More...



CIRRUS DESIGN SR20 G2 SN 1423 & ON

Item	Part Number	Description
1	20560-003	MUFFLER
2	20559-001	HEAT EXCHANGER
3	20557-001	COLLECTOR ASSY
4	10355-003	HEADER CYL #1
5	10353-002	HEADER CYL #2 & #3
6	10351-002	HEADER CYL #4 & #5
7	10349-003	HEADER CYL #6
8	20556-002	TAILPIPE
9	10869-002	SHROUD
10	20553-001	CLAMP HALF TAILPIPE
-	77611	GASKET
-	11925-003	ENGINE MOUNT SN 1005-1267
-	11925-004	ENGINE MOUNT SN 1268 and on
-	J-9613-58	SHOCK MOUNT
-	350-250	SPRING KIT



- Inner flame tubes must be attached for the muffler to be serviceable.

- Inspect the stack to collector mounting tabs for cracks.

AD 2008-11-18

Inspect and Replace muffler(11885-002) and Shroud(10869-001) on aircraft S/N 1005-1815 with new units as per Cirrus SB 2X-78-07 R1

(toll free) 1-888-388-8803 1-780-447-5955 Fax: 1-780-447-5980
 sales@acornwelding.com parts@acornwelding.com www.acornwelding.com