



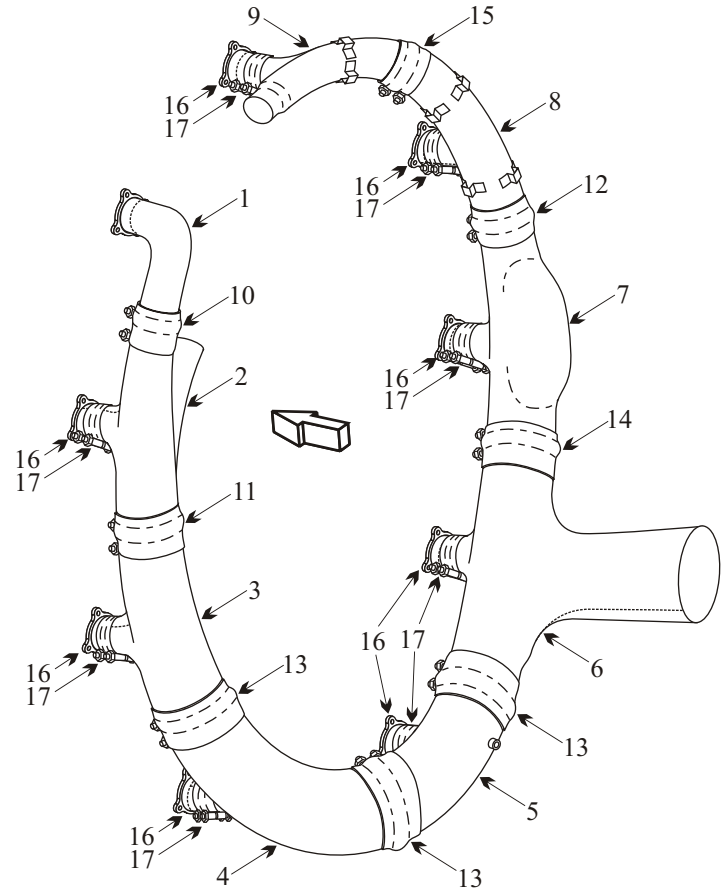
Exhaust Systems Engine Mounts Carb Air Boxes

Shrouds • Seats • Piston • Turbine • Radial • Vintage • And More...



DE HAVILLAND DHC-3 1000HP WITH PZL/SHVETSOV ASH-62 ENGINE

Item	Part Number	Description
1	SZ6800-143	EXHAUST SEGMENT CYL #1
2	AC-3-35-02	EXHAUST SEGMENT CYL #2
3	AC-3-35-03	EXHAUST SEGMENT CYL #3
4	AC-3-35-04	EXHAUST SEGMENT CYL #4
5	SZ6800-147	EXHAUST SEGMENT CYL #5
6	AC-3-35-06	EXHAUST SEGMENT CYL #6
7	AC-3-35-07	EXHAUST SEGMENT CYL #7
8	AC-3-35-08	EXHAUST SEGMENT CYL #8
9	AC-3-35-09	EXHAUST SEGMENT CYL #9
10	SZ6800-154-1	CLAMP CYL #1 & #2
11	SZ6800-154-2	CLAMP CYL #2 & #3
12	SZ6800-154-3	CLAMP CYL #7 & #8
13	SZ6800-154-4	CLAMP CYL #3 & #4, #4 & #5, #5 & #6
14	SZ6800-154-5	CLAMP CYL #6 & #7
15	SZ6800-154-12	CLAMP CYL #8 & #9
16	SZ6800-163	STUB FLANGE ASSY
17	SZ6800-155	CLAMP ASSY 2 PIECES
-	AC-3-31-00	CARB HEAT MUFF ASSY



● Acorn Welding has many years of experience with round engines. There are advantages to sending us your complete system when an overhaul or repair is required. It will ensure better joint integrity, a stress free system plus the inner cowling will stay cleaner from combustion by-products. With our system there should be no need for repairs between engine changes. We maintain standard factory sizes so new factory parts will fit.

(toll free) 1-888-388-8803 1-780-447-5955 Fax: 1-780-447-5980
 sales@acornwelding.com parts@acornwelding.com www.acornwelding.com