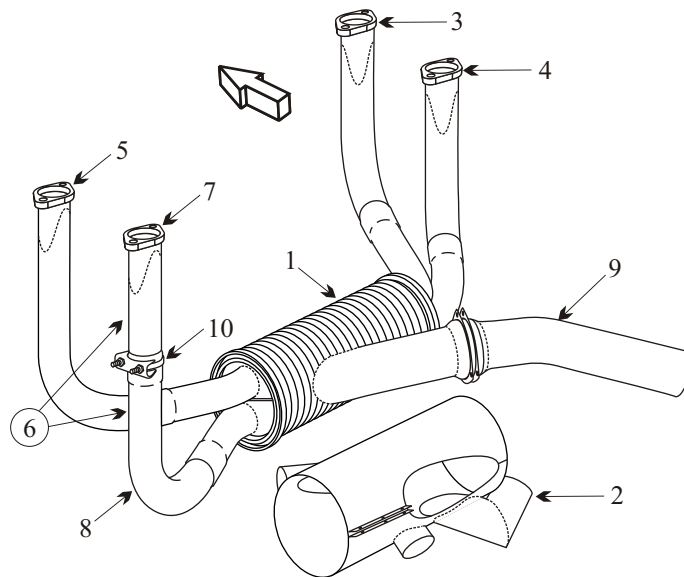


## MOONEY M-20C/M-20G

WITH LYCOMING O360 ENGINE, SLIP RIBBED MUFFLER TYPE

Item	Part Number	Description
1	630060-501	MUFFLER
2	630057-001	SHROUD
3	630065-507	STACK RIGHT FRONT CYL #1
4	630065-511	STACK RIGHT REAR CYL #3
5	630065-509	STACK LEFT FRONT CYL #2
6	630065-513	STACK ASSY LEFT REAR CYL #4
7	630053-913	STACK UPPER LEFT REAR
8	630053-013	STACK LOWER LEFT REAR
9	630066-000	TAILPIPE
10	C10X-30C	CLAMP
-	C10Y-30-6C	CLAMP
-	77611	GASKET
-	011-254	SPRING KIT FOR TAILPIPE
-	600246-901	CARB AIR BOX (C MODEL)
-	600333-501/511	CARB AIR BOX (G MODEL)
-	590000-515	ENGINE MOUNT
-	J-7402-1	SHOCK MOUNT



- Inner flame tubes must be attached for the muffler to be serviceable.
- Inspect riser stacks for cracks at the flange reinforcement doublers, at the weld edges and the flange base. The inspection is more successful if the carbon residue is removed from inside the stack.
- Inspect tailpipe for thinning and internal corrosion.

### AD 75-09-08

#### Mooney M20C

Applies to S/N's 1852, 1940 thru 3466, 670001 thru 700091 and 20-0001 thru 20-1156.

#### Mooney M20G

Applies to S/N's 680001 thru 700006

Inspect engine mount for cracks.

Inspections required every 100 hrs of operation till mount repaired or replaced as per

Mooney SB M20-192A.