



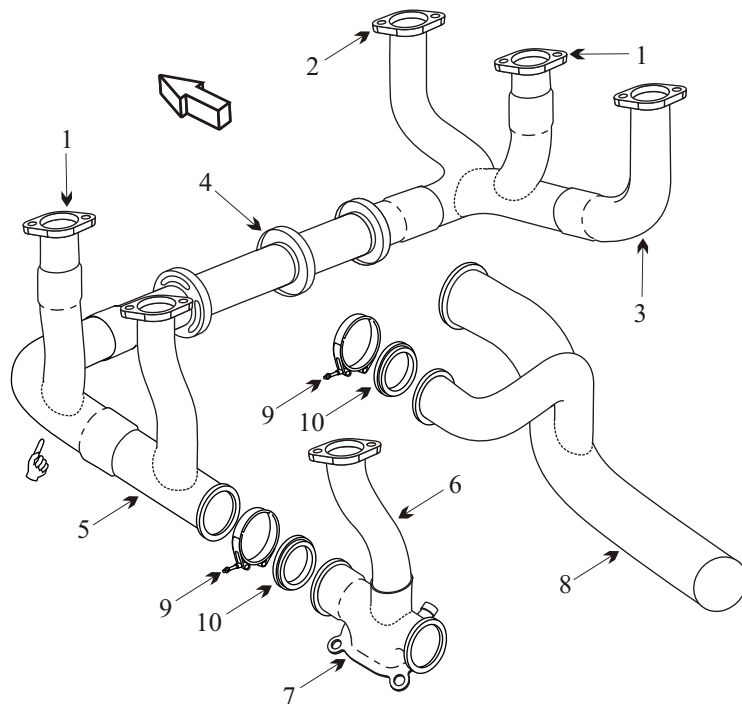
Exhaust Systems Engine Mounts Carb Air Boxes

Shrouds • Seats • Piston • Turbine • Radial • Vintage • And More...



MOONEY M-20M TLS BRAVO WITH LYCOMING TIO-540-AF1A ENGINE SN 27-0001 AND ON

Item	Part Number	Description
1	LW-12728	RISER CYL #2 & #3
2	40B19822	STACK CYL #1 & #3
3	40B19825	RISER CYL #5
4	40B21089	CROSSOVER & CYL #2
5	40B19824	RISER CYL #4
6	40B19823	RISER CYL #6
7	47C19818	TRANSITION
7	47C22531	TRANSITION
-	640325-501	SHROUD
8	630135-501	TAILPIPE & BYPASS ASSY
9	LW-12093-5	V-CLAMP
10	78084	GASKET
-	77611	GASKET
-	07A19834	TURBO BRACKET
-	5900429-501	ENGINE MOUNT
-	590048-501	ENGINE MOUNT
-	J-9613-82	SHOCK MOUNT



- Inspect joints for freedom of movement and distortion.
 - Inspect transitions for internal pitting and cracks, especially at the bypass area.
 - Inspect tailpipe for thinning and internal corrosion.
- ☞ This part has a hot area at the elbow, inspect this area for black flaking metal and bulges.

AD 2004-23-17

Mooney M-20M

Applies to S/N's 27-0001 thru 27-0321

Heat Shield, Heat Shield deflector and V-band clamp must be replaced with new parts.

(toll free) 1-888-388-8803 1-780-447-5955 Fax: 1-780-447-5980
 sales@acornwelding.com parts@acornwelding.com www.acornwelding.com