



Exhaust Systems Engine Mounts Carb Air Boxes

Shrouds • Seats • Piston • Turbine • Radial • Vintage • And More...



AERO COMMANDER 560F

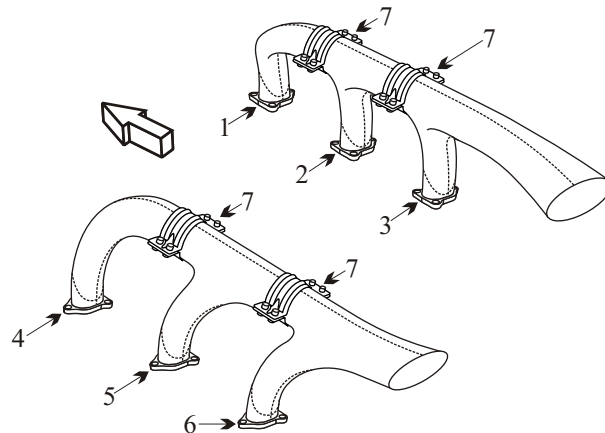
WITH IGO-540 LYCOMING ENGINE

680F/FL/FP/FLP

WITH IGSO-540 LYCOMING ENGINE

Item	Part Number	Description
1	636-88	STACK ASSY RIGHT HAND FRONT
2	636-89	STACK ASSY RIGHT HAND CENTER
3	636-90	STACK ASSY RIGHT HAND REAR
4	621-70	STACK ASSY LEFT HAND FRONT
5	621-71	STACK ASSY LEFT HAND CENTER
6	621-72	STACK ASSY LEFT HAND REAR
7	616-002	CLAMP
-	LW-15486	GASKET

- Inspect riser stacks for cracks at the flange reinforcement doublers, at the weld edges and the flange base. The inspection is more successful if the carbon residue is removed from inside the stack.
- Inspect tailpipe for thinning and internal corrosion.



(toll free) 1-888-388-8803 1-780-447-5955 Fax: 1-780-447-5980
sales@acornwelding.com parts@acornwelding.com www.acornwelding.com