



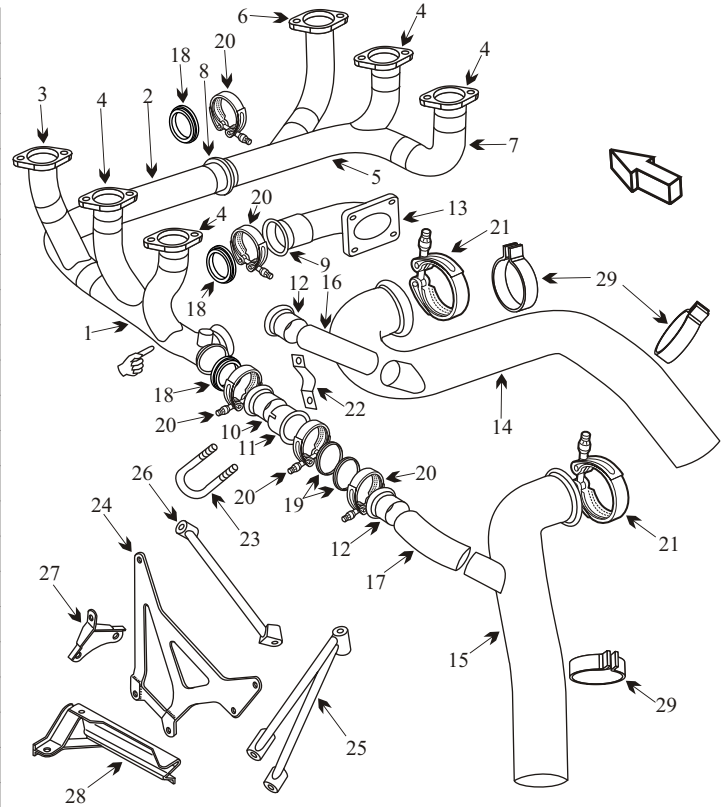
Exhaust Systems Engine Mounts Carb Air Boxes

Shrouds • Seats • Piston • Turbine • Radial • Vintage • And More...



PIPER PA-23-250T WITH LYCOMING T10-540 ENGINE

Item	Part Number	Description
1	LW-12281	LEFT HAND CYL #4, #6
2	LW-16901	CROSSOVER CYL #2
3	78687	RISER CYL #2
4	78054	RISER CYL #3, #4, #5 & #6
5	78062	RIGHT HAND CYL #3
6	78061	RISER CYL #1
7	78063	ELBOW CYL #5
8	LW-16902	CROSSOVER FLANGE
9	78064	PLENUM FLANGE EXHAUST MANIFOLD
10	LW-11657	MALE WASTEGATE FLANGE INDEXING
11	LW-11656	FEMALE WASTEGATE FLANGE INDEXING
12	LW-11223	BYPASS FLANGE
13	LW-15417	TRANSITION
14	32781-000	TAILPIPE RIGHT HAND
15	32779-000	TAILPIPE LEFT HAND
16	32848-000	BYPASS ELBOW RIGHT HAND
17	32847-000	BYPASS ELBOW LEFT HAND
18	17189-225	2 1/4" V-BAND CLAMP SEAL 3 REQ
19	75845	2 1/4" GASKET V-BAND COUPLING 2 REQ
20	LW-12093-6	2 1/4" O.D. V-BAND COUPLING 5 REQ
21	MVT69861-377	CLAMP TAILPIPE SB 1147
22	LW-11654	CLAMP EXHAUST MANIFOLD JOINT
23	LW-11655	U-BOLT
-	77611	GASKET
24	77983	TURBO SUPPORT
25	77982	STRUT TURBO RIGHT HAND
26	77981	STRUT TURBO LEFT HAND
27	LW-10119	SUPPORT TURBO TOP RIGHT ENGINE
28	LW-10985	HEAT SHIELD MANIFOLD
29	33188-000	TAILPIPE SUPPORT CLAMPS
-	32301-000	ENGINE MOUNT LEFT ENGINE
-	32301-005	ENGINE MOUNT RIGHT ENGINE
-	J-9613-12	SHOCK MOUNT
-	32355-000	INDUCTION TUBE ASSY
-	VARIOUS	SEAT BASE



AD 68-07-04
 Applies to S/N's 27-2505 and on with engine mount P/N 31215.
 Inspect engine mount for cracks.
 Inspection required for every 50 hrs of operation after 1000 hrs time in service.

- Inspect joints for freedom of movement and distortion.
- Inspect the transition or plenum for blisters or cracks.
- Inspect the by-pass area for hot spots, blisters and cracks.

● **Note:** Incorrect PN substitution exists for tailpipe clamps. See SB-1147

● **Note:** Tailpipes may break if support clamps are not installed IAW SL-582 (Lycoming SB-339A)

(toll free) 1-888-388-8803 1-780-447-5955 Fax: 1-780-447-5980
 sales@acornwelding.com parts@acornwelding.com www.acornwelding.com