



Exhaust Systems Engine Mounts Carb Air Boxes

Shrouds • Seats • Piston • Turbine • Radial • Vintage • And More...



AERONCA 7AC/11AC

WITH CONTINENTAL C-65/C-85/C-90 AND O200 ENGINES, ORIGINAL TYPE

Item	Part Number	Description
1	7-486	STACK EXHAUST RIGHT HAND
2	7-485	STACK EXHAUST LEFT HAND
3	3-478	SHROUD CARB HEAT INLET SIDE
4	3-479	SHROUD CARB HEAT OUTLET SIDE
5	3-479	SHROUD HEAT MUFF INLET SIDE
6	3-478	SHROUD HEAT MUFF OUTLET SIDE
-	627429	GASKET
-	4-585	ENGINE MOUNT

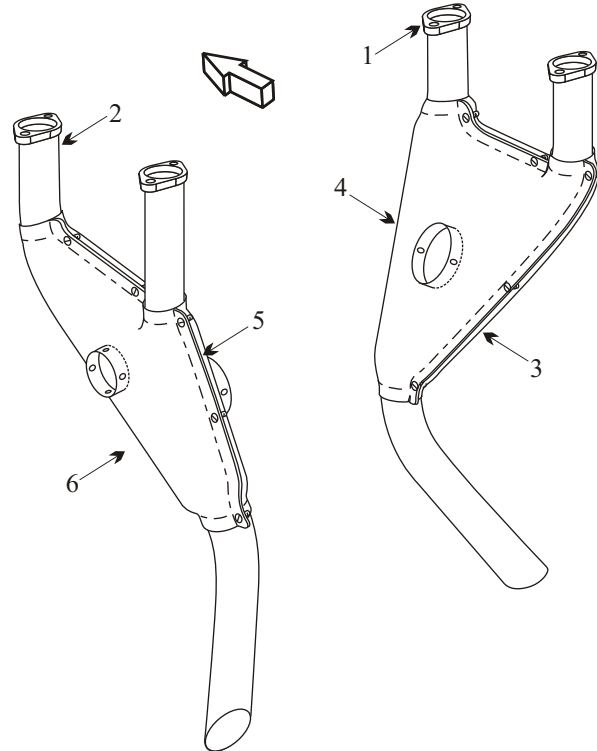
AD 47-30-05

Applies to S/N's prior to 7AC-6797 and 11AC-1697.

Inspect exhaust stacks in "Y" section for cracking, burning, flaking and soft spots.

Inspection required every 50 hrs of operation.

- The stack assembly and flanges are most likely mild steel and not stainless steel, Inspect for thinning and corrosion.



(toll free) 1-888-388-8803 1-780-447-5955 Fax: 1-780-447-5980
sales@acornwelding.com parts@acornwelding.com www.acornwelding.com