



# Exhaust Systems Engine Mounts Carb Air Boxes

Shrouds • Seats • Piston • Turbine • Radial • Vintage • And More...

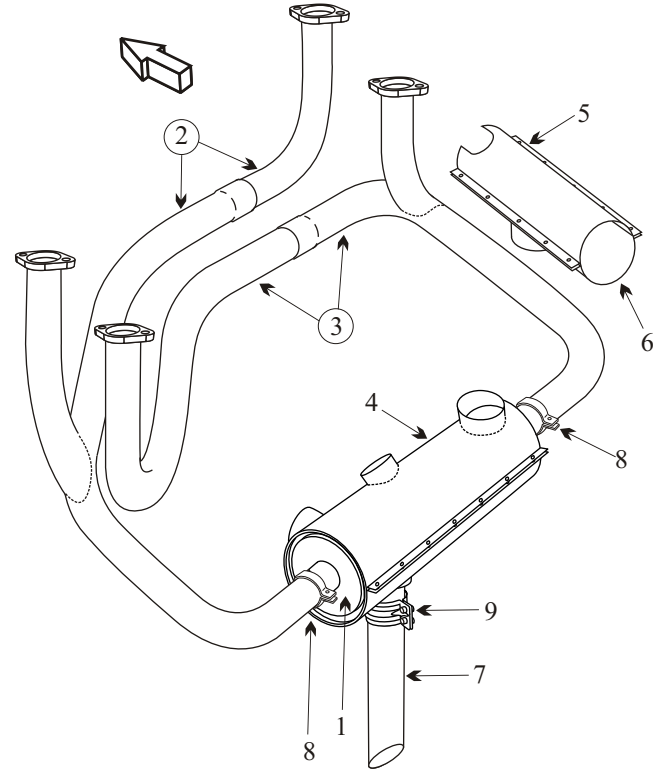


## BEECHCRAFT MUSKETEER 19 SPORT

SN MB-1 - MB-480 SN M1-554 WITH LYCOMING O-320 ENGINE

## BEECHCRAFT MUSKETEER B23 SN M1 - M554

Item	Part Number	Description
1	169-950010-21	MUFFLER
2	169-950006-95	STACK ASSY FRONT
3	169-950006-97	STACK ASSY REAR
4	169-950010-37	SHROUD
5	169-950006-55	CARB HEAT TOP
6	169-950006-49	CARB HEAT BOTTOM
7	169-950010-19	TAILPIPE
8	AN741-14P	CLAMP
9	AN471-16P	CLAMP TAILPIPE
-	77611	GASKET
-	169-910027-133	CARB AIR BOX
-	169-910001-75	ENGINE MOUNT B19
-	169-910006-75	ENGINE MOUNT B23
-	J-7402-16	SHOCK MOUNT
-	VARIOUS	SEAT BASE



● Inner flame tubes must be attached for the muffler to be serviceable.

● Inspect muffler for blisters or bulges under heat shroud.

### Beech B-23

AD 64-06-01

Applies to S/N's M-2 thru M-555

Install stainless steel dam around the exhaust tube between muffler and heat shroud as per SB # 64-1.

(toll free) 1-888-388-8803 1-780-447-5955 Fax: 1-780-447-5980  
 sales@acornwelding.com parts@acornwelding.com www.acornwelding.com