



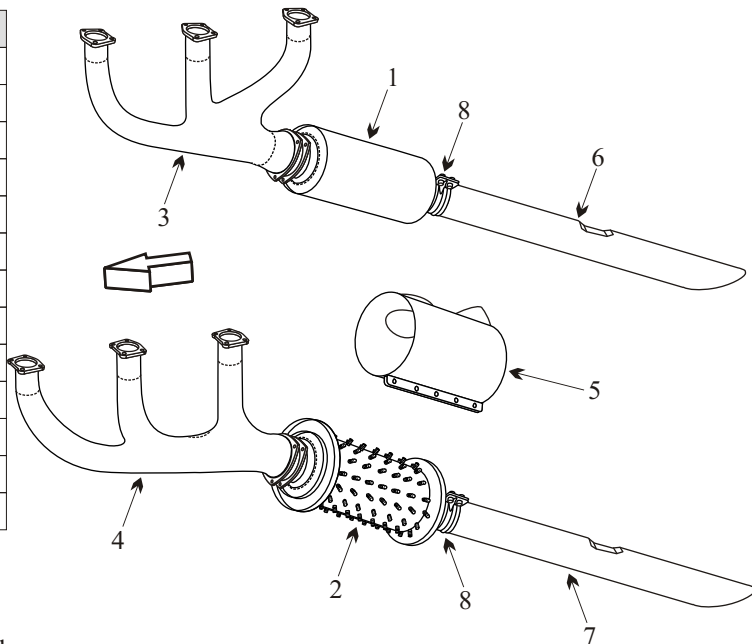
# Exhaust Systems Engine Mounts Carb Air Boxes

Shrouds • Seats • Piston • Turbine • Radial • Vintage • And More...



**BEECHCRAFT P35 SN D-7109-7309**  
**ALL WITH CONTINENTAL IO-470 ENGINE**

Item	Part Number	Description
1	701-20	MUFFLER RIGHT HAND
2	701-19/21	MUFFLER LEFT HAND
3	35-950004-63	STACK RIGHT HAND
4	35-950004-53	STACK LEFT HAND
5	701-61	SHROUD LEFT HAND
6	35-950004-9	TAILPIPE RIGHT HAND
7	35-950004-7	TAILPIPE LEFT HAND
8	35-950004-17	CLAMP HALF
-	628260	GASKET
-	215-250	SPRING KIT
-	33-910011-1	INDUCTION AIR BOX SN D-6562 D-7309
-	VARIOUS	SEAT BASE ASSY
-	J-7518-2	SHOCK MOUNT



- Inspect muffler for blisters or bulges under heat shroud.
- Inspect internal baffles for cracks and distortion.
- Inspect collector just before the ball joint for heat distortion and black flaking material.

- Inspect tailpipe for thinning and internal corrosion.

(toll free) 1-888-388-8803 1-780-447-5955 Fax: 1-780-447-5980  
 sales@acornwelding.com parts@acornwelding.com www.acornwelding.com