



# Exhaust Systems Engine Mounts Carb Air Boxes

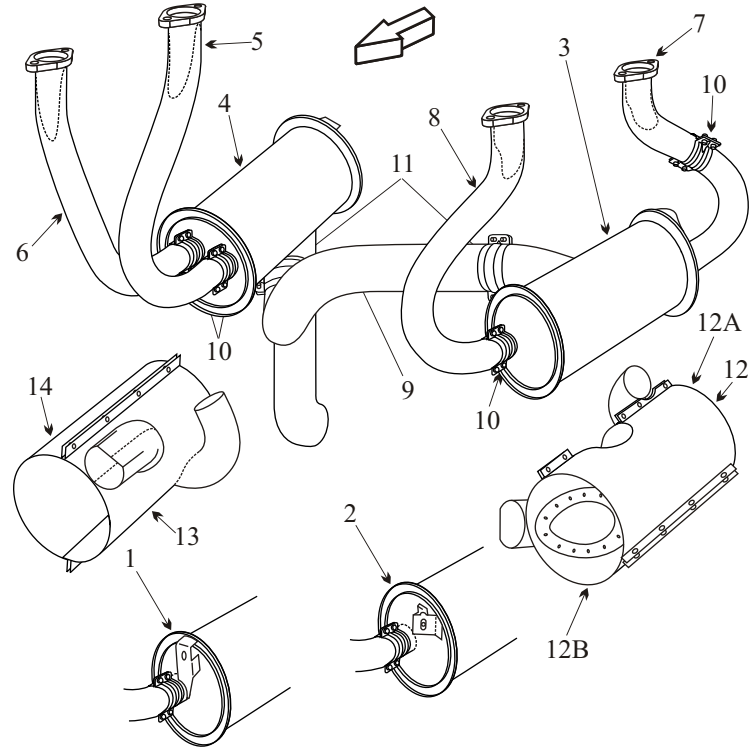
Shrouds • Seats • Piston • Turbine • Radial • Vintage • And More...



## CESSNA 177 RG CARDINAL

SN 1-1366  
F1-177

| Item | Part Number  | Description                         |
|------|--------------|-------------------------------------|
| 1    | 2054000-31   | MUFFLER LEFT HAND SN 0001 0787      |
| 2    | 2054000-40   | MUFFLER LEFT HAND SN 0788 1201      |
| 3    | 2054000-42 * | MUFFLER LEFT HAND SN 1202 and on    |
| 4    | 2054000-38   | MUFFLER RIGHT HAND                  |
| 5    | 2054002-16   | RISER RIGHT HAND INBOARD            |
| 6    | 2054002-14   | RISER RIGHT HAND OUTBOARD           |
| 7    | 2054001-16   | RISER LEFT HAND AFT                 |
| 8    | 2054001-18   | RISER LEFT HAND FWD                 |
| 9    | 2054019-1    | CROSSOVER PIPE                      |
| 10   | 0750161-25   | CLAMP HALF                          |
| 11   | 2054020-1    | CROSSOVER CLAMP HALF                |
| 12   | 2054018-14   | SHROUD ASSY LEFT HAND (ONE PIECE)   |
| 12A  | 2054018-19   | SHROUD HALF ASSY LH UPPER           |
| 12B  | 2054018-23   | SHOULD HALF ASSY LH LOWER           |
| 13   | 2054017-1    | SHROUD HALF ASSY RH INBOARD         |
| 14   | 2054017-2    | SHROUD HALF ASSY RH OUTBOARD        |
| -    | 77611        | GASKET                              |
| -    | 2052030-2    | INDUCTION AIR PLENUM SN 0001 0592   |
| -    | 2052030-4    | INDUCTION AIR PLENUM SN 0593 and on |
| -    | 2051000-1    | ENGINE MOUNT                        |
| -    | J-9613-59    | SHOCK MOUNT                         |
| -    | VARIOUS      | SEAT BASE                           |



● Inspect riser stacks at the flange reinforcement doublers, at the weld edges, and flange base for cracks. The inspection is more successful if the carbon residue is removed from inside the stack.

The muffler must have inner flame tubes still attached to be serviceable.

● SE80-6 & SE77-35 Must be done for warranty to be honored

\* USED on All A/C See SE77-35

(toll free) 1-888-388-8803 1-780-447-5955 Fax: 1-780-447-5980  
 sales@acornwelding.com parts@acornwelding.com www.acornwelding.com