



Exhaust Systems Engine Mounts Carb Air Boxes

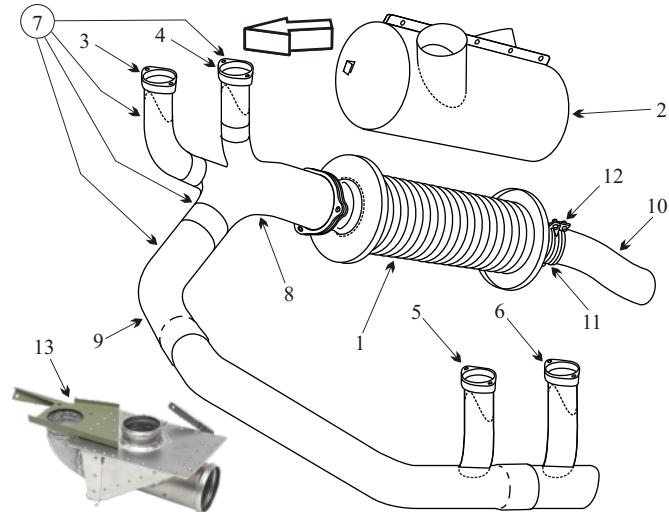
Shrouds • Seats • Piston • Turbine • Radial • Vintage • And More...



CESSNA 172 RG CUTLASS

SN 1-1178

Item	Part Number	Description
1	C156020-0101	MUFFLER
2	1254012-14	SHROUD
3	2454000-11	RISER RIGHT FRONT
4	2454000-12	RISER RIGHT REAR
5	2454000-17	RISER LEFT FRONT
6	2454000-16	RISER LEFT REAR
7	2454000-14	COLLECTOR RIGHT HAND ASSY <small>One Piece</small>
8	2454000-4	COLLECTOR RIGHT HAND
9	2454000-13	CROSSOVER
10	2454000-15	TAILPIPE
11	0750161-22	CLAMP NO PIN. 2 5/8"
12	0750161-24	CLAMP WITH PIN. 2 5/8"
13	2450023-1/3	CARB AIR BOX
-	77611	GASKET
-	2451000-1	ENGINE MOUNT
-	J-9613-49	SHOCK MOUNTS
-	VARIOUS	SEAT BASE
-	011-250	SPRING KIT



- The muffler must have inner flame tubes still attached to be serviceable.
- Inspect muffler for wear areas from the shroud divider.

Cessna 172RG

AD 83-14-04

Modify shroud as per Cessna SE83-13 & inspect shroud rings for cracks.
Inspection required for each 50 hrs of operation.

AD 85-20-01

Applies to S/N's 172RG1135 thru 172RG1187
Inspect muffler core for drilled holes or attachment screws that are the wrong length

(toll free) 1-888-388-8803 1-780-447-5955 Fax: 1-780-447-5980
 sales@acornwelding.com parts@acornwelding.com www.acornwelding.com