



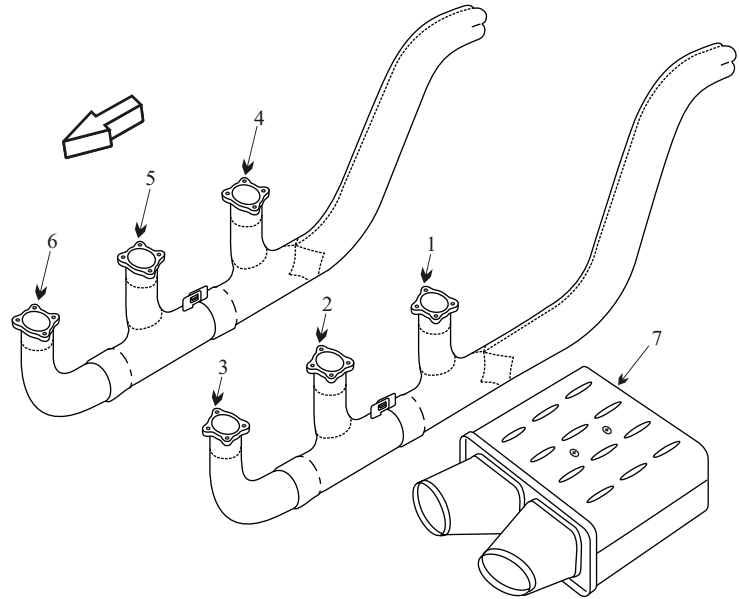
Exhaust Systems Engine Mounts Carb Air Boxes

Shrouds • Seats • Piston • Turbine • Radial • Vintage • And More...



CESSNA 310 B THRU H EARLY MODEL OVERWING WITH CONTINENTAL IO 470 ENGINE

Item	Part Number	Description
1	0850627-3/23	LEFT HAND AFT
2	0850600-43/89	RISER LEFT HAND CTR
3	0850600-49/91	RISER LEFT HAND FWD
4	0850627-4/24	RIGHT HAND AFT
5	0850600-44/88	RISER RIGHT HAND CTR
6	0850600-50/90	RISER RIGHT HAND FWD
7	0850650-8	MUFFLER
-	628260	GASKET
-	0850500-36	INDUCTION AIR BOX SN ³⁵⁰⁰⁰ ₃₅₇₇₁
-	0850575-4	INDUCTION AIR BOX SN ³⁵⁷⁷² ₃₉₂₂₉
-	0850554-1	INDUCTION AIR BOX SN ³¹⁰⁰⁰⁰¹ _{310G0001}
-	0850440-11	INDUCTION AIR BOX SN ^{310H0001} _{310K0001}
-	VARIOUS	SEAT BASE



- Inspect tailpipes for internal pitting and wall thickness especially at the outside radius, which is the thin section, and at support bracket.
- Inspect the aft flange that is the main load bearer of the tailpipe.
- Inspect this muffler for cracks and deterioration of the inner rivets and sound proof baffling. Acorn Welding has complete overhaul capabilities on this muffler to bring to a like new status.

(toll free) 1-888-388-8803 1-780-447-5955 Fax: 1-780-447-5980
 sales@acornwelding.com parts@acornwelding.com www.acornwelding.com