



Exhaust Systems Engine Mounts Carb Air Boxes

Shrouds • Seats • Piston • Turbine • Radial • Vintage • And More...



MOONEY M-20R OVATION & M-20S EAGLE WITH CONTINENTAL IO-550 ENGINE

Item	Part Number	Description
1	630112-501	MUFFLER
2	630088-027	SHROUD
3	630082-502	HEADER ASSY RIGHT HAND (2 PIECE)
4	630082-501	HEADER ASSY LEFT HAND (2 PIECE)
5	630111-503	TAILPIPE RIGHT HAND
6	630111-501	TAILPIPE LEFT HAND
7	630097-507	LEFT HAND HEADER CLAMP
-	628260	GASKET
-	335-250	SPRING KIT
-	590050-501	ENGINE MOUNT

AD 95-12-16

Mooney M20R

Applies to S/N's 29-0002 thru 29-0035.

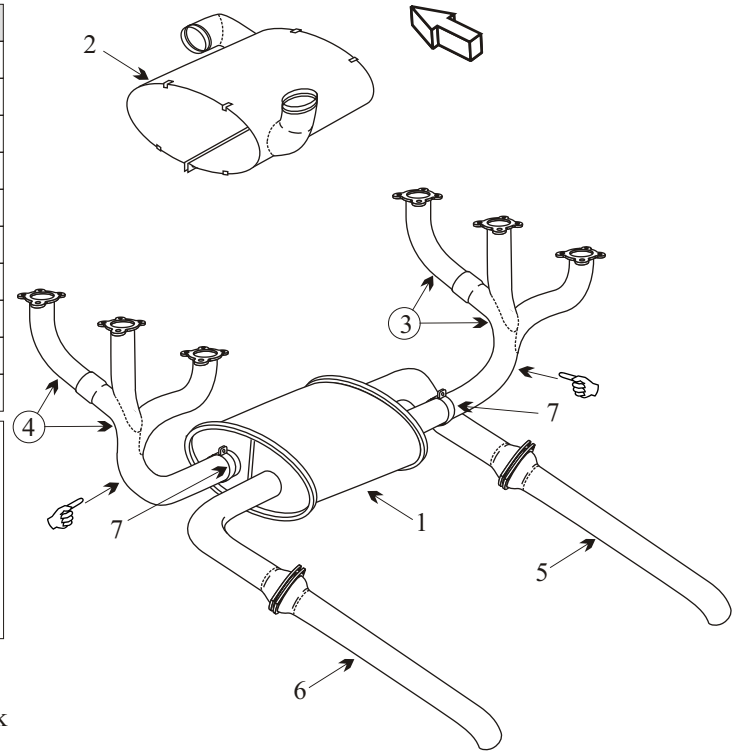
Inspect Exhaust system for cracks.

Inspection required every 5 hrs of operation.

Recurring inspections eliminated when Mooney retrofit kit P/N 940095-501-1 installed.

● Inspect joints for freedom of movement and distortion.

☞ This part has a hot area at the elbow, inspect this area for black flaking metal and bulges.



(toll free) 1-888-388-8803 1-780-447-5955 Fax: 1-780-447-5980
sales@acornwelding.com parts@acornwelding.com www.acornwelding.com