



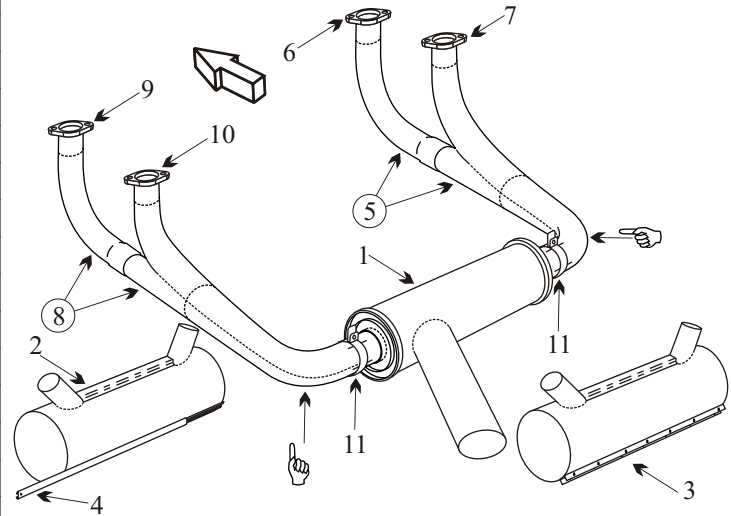
Exhaust Systems Engine Mounts Carb Air Boxes

Shrouds • Seats • Piston • Turbine • Radial • Vintage • And More...



PARTENAVIA/VULCANAIR P-68C

Item	Part Number	Description
1	68-6.1033-1	MUFFLER ASSY LEFT ENGINE <small>Up to SN 237</small>
1	68-6.1033-2	MUFFLER ASSY RIGHT ENGINE <small>Up to SN 237</small>
1	68-6.1033B-1/3	MUFFLER ASSY LEFT ENGINE <small>SN 238 and on</small>
1	68-6.1033B-2/4	MUFFLER ASSY RIGHT ENGINE <small>SN 238 and on</small>
2	68-6.1037-1	SHROUD ASSY LEFT ENGINE <small>Up to SN 237</small>
2	68-6.1037-2	SHROUD ASSY RIGHT ENGINE <small>Up to SN 237</small>
3	68-6.1037B-1	SHROUD ASSY LEFT ENGINE <small>SN 238 and on</small>
3	68-6.1037B-2	SHROUD ASSY RIGHT ENGINE <small>SN 238 and on</small>
4	68-6.1037-3	CLAMP HEAT EXCHANGER
5	68-6.1069-1	STACK ASSY RIGHT HAND
6	68-6.1069-3	STACK RIGHT FRONT
7	68-6.1069-5	STACK RIGHT REAR
8	68-6.1069-2	STACK ASSY LEFT HAND
9	68-6.1069-4	STACK LEFT FRONT
10	68-6.1069-6	STACK LEFT REAR
11	68-6.1027-1	CLAMP
-	77611	GASKET
-	68-6.20030-1	ENGINE MOUNT



AD 88-13-08

Applies to all S/N's.

Inspect engine mount for cracks/corrosion.

If cracks found, repair as per Partenavia SB 70, Rev 1.

Inspection required every 500 Hrs or 24 months

whichever occurs first.

☞ This part has a hot area at the elbow, inspect this area for black flaking metal and bulges.

(toll free) 1-888-388-8803 1-780-447-5955 Fax: 1-780-447-5980
 sales@acornwelding.com parts@acornwelding.com www.acornwelding.com